

TAKSTAR® 得勝

用户手册
User Manual



广东省电声工程技术研究开发中心
广东得胜电子有限公司制造
地址：广东省惠州市博罗县龙溪镇富康一路2号
全国服务热线：400 6828 333
传真：0752-6383950
邮箱：xs@takstar.com
邮编：516121
网址：www.takstar.com

Guangdong Takstar Electronic Co., Ltd.
Address: No. 2 Fu Kang Yi Rd., Longxi Boluo
Huizhou, Guangdong 516121 China
Tel: 86 752 6383644
Fax: 86 752 6383952
Email: sales@takstar.com
Website: www.takstar.com

WPM-200
无线监听系统
UHF Wireless Monitor System

目 录

Contents

| | |
|---|-------|
| 目录..... | 01 |
| Contents..... | 01 |
| 前言/产品特性..... | 02 |
| Foreword/Features..... | 05 |
| 控制面板功能示意图..... | 02-03 |
| Function Illustration..... | 05-06 |
| 使用说明/注意事项..... | 03 |
| Operation Instruction/Cautions..... | 06 |
| 技术参数/标准配置/适用场合..... | 04 |
| Specification / Product Content /Application..... | 07 |

- * 得胜公司保留对本说明书中描述的产品及说明书内容更新和改进的权利，如有更改，恕不另行通知。
- * 如有疑问，请关注本公司的文宣资讯或网上查询：www.takstar.com对其中涉及的描述和图像，以包装箱内内容和实物为准！
- * Takstar reserves the rights to change the product and user manual without prior notice.
- * If you have any question, please pay attention to our company information or website www.takstar.com. The description and image may subject to change, please in kind prevail.

尊敬的用户：

感谢您选购TAKSTAR WPM-200无线监听系统，为了您能够更好的了解使用本产品，建议您在使用前仔细阅读本说明书。

若存在有疑问或者您有宝贵的建议，可通过拨打得胜官方服务热线400 6828 333或使用微信扫描二维码关注得胜官方公众号与我们联系。

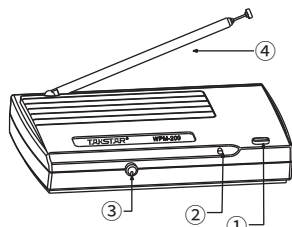


产品特性

- ※ 采用UHF频段，PLL频率合成技术，工作稳定可靠；
- ※ UHF频段，预设6个频道可供选择；
- ※ 低功耗设计，两节碱性电池可以工作30小时以上；
- ※ 一台发射机，在有效距离内可以配多个接收机；
- ※ 采用动态扩展电路，信噪比高；
- ※ 采用复合抗干扰电路，可以同时使用4-6套互不干扰；
- ※ 接收机采用液晶显示频率、信道、电池电量信息。

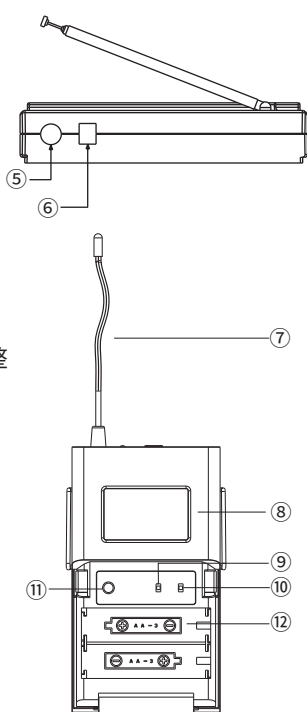
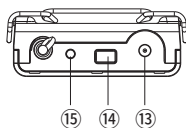
功能操作指示

发射机



- ① 开关按键：按下该键为开/关机
- ② 发射机电源指示灯
- ③ 调频旋钮：此旋钮为调整频道，共提供6个频道调整
- ④ 天线
- ⑤ 音频输入插孔
- ⑥ 电源输入插孔

接收机



⑦ 接收天线：1/4波长鞭状接收天线

⑧ 液晶面板：显示当前工作频道和电池电量

⑨ 音量减小按键

⑩ 音量增加按键

⑪ 频道调整：点按“CH”开关切换至所需的频道

⑫ 电池仓：装2节AA电池

⑬ 耳机插孔

⑭ 电源按键

⑮ 接收机电源指示灯：若接收机处于开机状态时亮绿灯，表示电池电量正常；当此指示灯亮红灯时，表示电池低电量，需要更换电池

操作说明书

1. 将随机附送的变压器连接到发射机的直流电源输入插座上；
2. 将转换线一端连接到发射机的音频输入插座上，另一端连接到音频输出设备上；
3. 开启发射机的电源开关，电源指示灯亮，表示进入正常工作状态；
4. 打开接收机的电池盖，装入两节AA电池；
5. 将耳机插头插入接收机耳机插孔内；
6. 开启接收机的电源开关，指示灯亮，表示接收机已进入工作状态；（此时电源指示灯⑭亮绿色为工作指示，亮红色为电池低电状态。）
7. 调节调频CH按键，使接收机对应发射机的频道；
8. 调节接收机上的音量“-”或音量“+”按键来获得您满意的音质效果。

注意事项

为避免电击、过高温度、着火、辐射、爆炸、机械危险以及使用不当等可能造成的人身伤害或财产损失，使用本产品前，请仔细阅读并遵守以下事项：

1. 使用产品时请确认所连接设备与本产品功率是否匹配以及合理调整音量大小，不要在超过产品功率及大音量下长时间使用，以免造成产品异常和耳朵听力损伤；
2. 使用中若发现有异常（如冒烟、异味等），请立即关闭电源开关并拔掉电源插头，然后将产品送经销商检修；
3. 若产品需要使用可拆装电池时，严禁使用外壳绝缘材料破损的电池；请不要为非充电电池充电；

- 废弃电池需放入指定的分类垃圾桶，不可作为儿童玩具或直接丢弃，以免造成安全隐患或影响环境；
- 本产品及配件都应放置在室内干燥通风处，勿长期存放在潮湿、灰尘多的环境，使用中避免靠近裸露火源、碰到液体物质、雨淋、产品进水、过度碰撞、抛掷、振动本机及覆盖通风孔，以免损坏其功能；
- 若产品需要固定于墙壁或天花板上时，请确保固定到位，防止因固定强度不足导致产品发生跌落危险；
- 使用该产品时需遵守相关安全规定，法律法规明确禁止使用场合请勿使用本机，以免导致意外事故；
- 请不要自行拆机改装或维修，以防止出现人身伤害，如有问题或服务需求请联系当地经销商跟进处理；
- 本产品适用海拔及气候条件由适配器决定，使用前请阅读并理解适配器上的图标含义。示例如下：



仅适用于海拔2000米以下地区使用



仅适用于非热带气候条件下使用

简单故障排除

| 故障现象 | 可能原因 | 处理方法 |
|--------------|----------------------|------------------------|
| 没有声音 | 发射机没有开启 | 开启发射机 |
| | 接收机没有开启 | 开启接收机 |
| | 电量不足 | 更换新电池 |
| | 接收机音量没有调大 | 调节接收机音量 |
| | 发射机与音源连接不正确 | 重新连接音源 |
| | 接收机远离发射机，接收机静音功能自动开启 | 接收机在说明书的有效范围内使用 |
| | 频率不吻合 | 调校接收机的CH按键，使接收与发射频率相同 |
| 打开电源开关指示灯没有亮 | 电源未接上 | 检查变压器的插头是否插在发射的直流电源输入上 |
| | 电池装反 | 检查电池是否装反，将电池按正确的方向安装好 |
| 接收机收到其他声音或广播 | 发射机频道和其它频道接近 | 将发射机和接收机频率调到另一个频率点 |

技术参数

发射机:

发射工作频率: 780-789MHz

780-805MHz (可选)

发射电源: DC12V/300mA

发射功率: ≤15dBm

发射工作电流: 80mA±10mA

发射距离: ≥50m

接收机:

接收工作电压: DC 3V/两节AA电池

接收工作电流: 50mA±20mA

信噪比: ≥50dB (A+)

接收灵敏度: 3uV (SINAD>12dB)

频率响应: 60Hz-8KHz

接收频率范围: 780-789MHz

780-805MHz (可选)

立体声分离度: ≥42dB

包装配置

| | |
|--------------|----|
| 接收机 | 1台 |
| 发射机 | 1台 |
| 耳塞 | 1副 |
| 5号酸性电池 | 2节 |
| 3.5转6.3插头 | 1个 |
| 转换线 | 1条 |
| RCA连接线 | 1条 |
| 说明书 | 1份 |
| 12V/300mA适配器 | 1个 |

适用场合

- 适用于舞台乐队及歌手监听和录音监听等场合

* 本产品相关规格及配置如有变更，恕不另行通知。

Dear Customer,

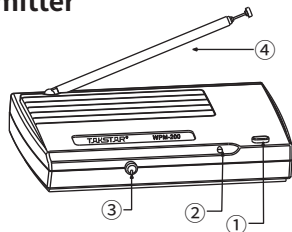
Thank you for purchasing TAKSTAR WPM-200 UHF Wireless Monitor System. Please read the user manual carefully before operation and keep it for reference in future. If you have any question or suggestion, please contact our local dealer.

Features

- UHF frequency band and PLL frequency synthesized technology for stable working performance
- 6 selectable channels
- Powered by 2pcs AA batteries, low power consumption design for long playtime up to 30 hours
- Multiple sets of receiver can be operated with a single transmitter within the operating range
- Dynamic expansion circuitry for high S/N ratio
- Anti-interference circuit for using 4-6sets simultaneously without mutual interference
- Receiver LCD displays frequency, channel and battery level

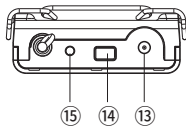
Function Operation Instruction

Transmitter



- ① Power switch: on/off
- ② Power indicator
- ③ Frequency adjustment button: there are 6 channels for adjustment
- ④ Antenna
- ⑤ Audio input
- ⑥ DC power input

Receiver



- ⑦ Antenna: 1/4 wavelength whip receiver antenna
- ⑧ LCD panel: indicate the current working channel and battery power
- ⑨ Volume down button
- ⑩ Volume up button
- ⑪ Frequency adjustment: press “CH” could change into the frequency channel you need
- ⑫ Battery compartment: assemble 2pcs AA batteries
- ⑬ Earphone socket
- ⑭ Power button
- ⑮ Power indicator: green means the battery power is normal, red means low battery power and need to replace the batteries

Operation Instruction

1. Connect the power adaptor into the socket of the transmitter DC power source.
2. Connect the transmitter and the audio system with the audio cable.
3. Press the power switch of the transmitter, the power indicator lights, it means it is under normal working status.
4. Open the battery compartment, assemble 2pcs AA batteries.
5. Plug the earphone into the headphone socket on the receiver.
6. Press the power switch of the receiver, the power indicator lights, it means it is under normal working status. (Green LED means normal power, red LED means low power.)
7. Adjust the CH button to match the channel between the transmitter and the receiver.
8. Adjust the volume on the receiver for satisfactory sound effect.

Cautions

To avoid personal injury or property loss caused by electric shock, over temperature, fire, radiation, explosion, mechanical risk and improper use, please read carefully and abide by the following items before operation:

1. Please check if the power of the connected equipment matches with that of this product before operation. Adjust the volume to proper level during operation. Do not operate at over-power or high volume level for a long time to avoid abnormal functioning or hearing loss.
2. If abnormal phenomenon (smoke, abnormal smell) happens, please turn off the power switch and disconnect the power plug with power socket, and send the product to local dealer for maintenance.
3. Using battery with broken insulation material is forbidden. Please do not charge the non-rechargeable battery.

4. Put the waste battery into classified dustbin rather than used as toy by children or discarded directly to avoid potential danger or affecting the environment.
5. The product and accessories should be put in dry and ventilated place rather than humid or dusty environment. Prevent the product from fire, liquid, rain, water, over-colliding, throwing, vibrating, vent hole covered to avoid function damage.
6. When the product needs to be installed on wall or ceiling, please fix it tightly to avoid dropping risk.
7. Please abide by safety rules during operation. Do not use the product in the place prohibited by regulation or law to avoid accident.
8. Do not disassemble or repair the product by yourself to avoid personal injury. If you have question or need service, please contact the local dealer.
9. The applicable altitude and climate condition of the product is subject to the power adaptor, below are the examples of the meaning of the power adaptor icons:



Applicable to the altitude below 2000m only



Applicable to the non-tropical climate condition only

Trouble Shooting

| Phenomena | Possible Cause | Solution |
|---|---|---|
| No sound | The transmitter is not turned on | Turn on the transmitter |
| | The receiver is not turned on | Turn on the receiver |
| | Battery power is low | Replace with new battery |
| | Receiver volume is low | Adjust the volume of receiver |
| | Wrong connection between transmitter and sound source | Reconnect in the correct way |
| | Receiver is too far away from transmitter and mute control of receiver turns on automatically | Use the receiver within the effective range as specified in the manual. |
| | Frequencies are not matched | Adjust the CH button on the receiver to match the channel with that of the transmitter |
| The power indicator does not light | No power connection | Check if the connector of the power adaptor is plugged into the power socket of the transmitter |
| | Battery is assembled oppositely | Check if the battery is assembled wrongly, reassemble it in the right way according to the polarity |
| The receiver receives other sound or broadcasting | The frequency of transmitter is too close with other frequency channel | Adjust a new channel for the receiver and transmitter |

Specification

Transmitter

Frequency Range: 780-789MHz
 780-805MHz (optional)
 Transmit Power: ≤15dBm
 Operating Range: ≥50m
 Power Supply: DC 12V/300mA
 Operating Current: 80mA±10mA

Receiver

Power Supply: DC 3V (2pcs AA Batteries)
 S/N Ratio: ≥50dB (A+)
 Frequency Response: 60Hz-8KHz
 Stereo Separation: ≥42dB
 Operating Current: 50mA±20mA
 Sensitivity: S/N 12dB 3uV
 Frequency Range: 780-789MHz
 780-805MHz (optional)

Product Content

| | |
|---------------------------------|------|
| Receiver | 1pc |
| Transmitter | 1pc |
| Earphone | 1pc |
| AA battery | 2pcs |
| 3.5mm to 6.3mm plug | 1pc |
| 3.5mm to 6.3mm conversion cable | 1pc |
| 3.5mm to RCA connecting cable | 1pc |
| Manual | 1pc |
| 12V/300mA power adaptor | 1pc |

Application

- Studio recording monitoring, on-stage monitoring
- * Specifications are subject to change without prior notice.