

TAKSTAR® 得胜



MS-580USB | 会议麦克风
CONFERENCE MICROPHONE

MS-580USB 会议麦克风

■ 前言

尊敬的用户：

感谢您选购得胜MS-580USB会议麦克风，为了您能够更好的了解使用本产品，建议您在使用前仔细阅读本说明书。

若存在有疑问或者您有宝贵的建议，可通过拨打得胜官方服务热线400 6828 333或微信扫描二维码关注得胜官方公众号与我们联系。



■ 产品特性

- 内置USB声卡芯片，兼容Windows、Mac OS、麒麟等系统
- 免驱动，即插即用不卡顿
- 采用单指向音头，拾音距离远
- 定位准，声音清晰无杂音
- 双软管咪杆设计，可360°自由调整角度，轻松满足各种拾音需求
- 3.5mm接口，支持外接耳机监听或音箱进行音源模拟输出，配置更灵活
- 具有音量调节旋钮，可根据使用的场合情况调整音量大小
- 一键静音切换开关，随时开启或关闭声音信号，使用简单方便
- 设有贴心工作指示灯，麦克风工作状态一目了然
- 底部设计防滑胶垫，防止麦克风滑动的同时也降低了桌面震动带来的影响

■ 产品配置

会议麦克风	1个
说明书	1份

■ 适用范围

适用于会议扩声、视频对话、游戏语音、录屏、直播等场合

MS-580USB 会议麦克风

■ 技术参数

供电模式：USB (DC 5V/100mA)

数据传输：USB 2.0

采样率：48KHz

比特率：16bit/24bit

频率响应：60Hz-18KHz

指向性：单指向

灵敏度：-9±3dB

最大声压级：≥110dB (at 1KHz, 1%THD)

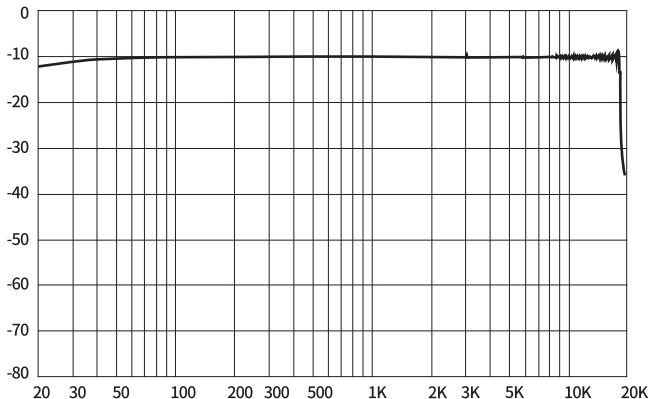
信噪比：62dB (A-weighted)

耳机输出峰值功率：≥20mW (32Ω负载)

耳机输出失真度：≤0.5%

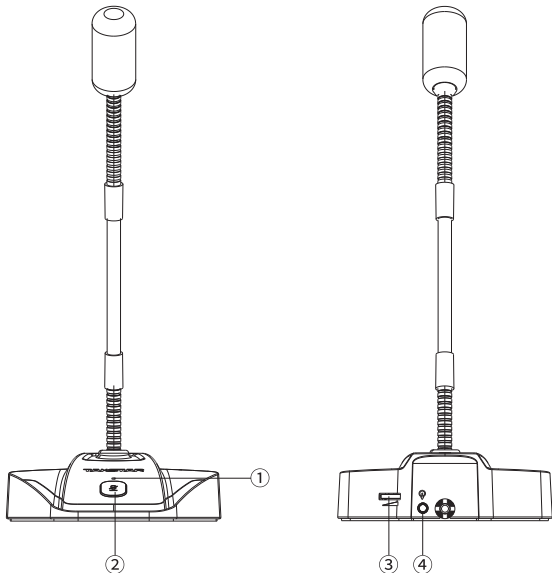
注：以上数据由得胜实验室测试得到，并拥有最终解释权！

频率响应曲线图



■ 功能示意

- ① 静音指示灯：指示灯长亮绿灯为拾音状态；指示灯熄灭为静音状态；
- ② 静音开关：通过点按开关实现静音及拾音状态之间循环切换。初始为静音状态，指示灯熄灭；点按静音开关，指示灯长亮绿灯，为拾音状态；再次点按静音开关，指示灯熄灭，则恢复静音状态；
- ③ 音量调节旋钮：拾音状态下，逆时针拨动旋钮，麦克风音量逐渐增大；顺时针拨动旋钮，麦克风音量逐渐减小；
- ④ 3.5mm接口：可连接耳机或有源音箱。



■ 使用说明(包含：安装连接方式/使用说明)

① 将麦克风和电脑通过USB数据线连接起来，电脑将自动识别麦克风并完成驱动安装；



② 驱动设置：

Windows：将系统喇叭的“录音”设备“TAKSTAR MS-580USB”设置为默认设备；



MS-580USB 会议麦克风

MacOS: 进入系统偏好设备下的声音设置, 将输入设备选择为“TAKSTAR MS-580USB”



- ③ 将耳机或者有源音箱连接到麦克风背面的3.5mm接口;
- ④ 开启视频会议软件、即时通讯软件或者录音软件, 即可进行网络会议、语音聊天、网络播音等。

(Windows系统下, 若电脑录音声音过大, 可以适当调小电脑录音设备的录音音量或调节麦克风音量旋钮降低音量即可)

■ 故障排除

一、麦克风开启后指示灯不亮或者无法监听到麦克风的声音：

- ① 检查麦克风的USB插头与电脑USB端口是否连接到位，请重新插拔后再试；
- ② 检查耳机与麦克风的3.5mm接口是否连接到位，请重新插拔后再试；
- ③ 连接电脑使用时，需打开系统喇叭的“录制”设备，在“TAKSTAR MS-580USB”设备的属性选项中将“侦听此设备”选项勾选；

二、无法录制麦克风声音或录制声音过小：

- ① 连接电脑使用时，检查“TAKSTAR MS-580USB”设备的麦克风音量是否调得过小，调节之后看看是否能够恢复正常；
- ② 检查麦克风音量调节旋钮是否将音量调得过小，逆时针拨动旋钮增大音量看是否可以恢复正常；

三、连接音箱时产生啸叫：

- ① 若使用的软件或音频设备本身有回音消除功能，请设置为开启状态；
- ② 将麦克风的拾音部分背对有源音箱，同时保持适当距离；
- ③ 减小麦克风音量或者音箱输出音量。

■ 安全警示

为避免电击、高温、着火、辐射、爆炸、机械危险以及使用不当等可能造成的人身伤害或财产损失，使用本产品前，请仔细阅读并遵守以下事项：

1. 使用产品时请合理调整音量大小，不要再大音量下长期使用，以免造成听力损伤；
2. 使用中若发现有异常（如冒烟、异味等），请立即关闭电源开关并拔掉电源插头，然后将产品送经销商检修；
3. 本产品及配件都应放置在室内干燥通风处，请勿长期存放在潮湿、灰尘多的环境，使用中避免靠近火源、雨淋、进水、过度碰撞、抛掷、振动本机及覆盖通风孔，以免损坏其功能；
4. 若产品需固定于墙壁或天花板上时，请确保固定到位
5. 使用该产品时需遵守相关安全规定，法律法规明确禁止使用场合请勿使用本机，以免导致意外事故；
6. 请不要自行拆机改装或维修，以防止出现人身伤害，如有问题或服务请联系当地经销商跟进处理。

■ 关于图标含义解释



此符号表示,根据WEEE指令(2012/19/EU)和国家法律,由于这种类型的废弃物会有潜在的有害物质,可能对环境 and 人类健康产生负面影响,所以本产品不应与您的家庭垃圾一起处置,应将本产品交由授权的电气和电子设备(WEEE)回收站回收。同时,您在正确处理本产品的同时将有助于自然资源的有效利用。如需了解更多有关您可以在何处放置废物回收设备的信息,请联系您当地的城市办事处、废物管理局或家庭废物处理服务部门。

产品中有毒有害物质或元素的名称及含量标识表

部件名称	有毒有害物质或元素					
	铅 (Pb)	汞 (Hg)	镉 (Cd)	六价铬 (Cr(VI))	多溴联苯 (PBB)	多溴二苯醚 (PBDE)
塑料部件	○	○	○	○	○	○
金属部件	×	○	○	○	○	○
电路板组件	×	○	○	○	○	○
线缆	×	○	○	○	○	○

本表格依据SJ/T 11364的规定编制。

○: 表示该有害物质在该部件所有均质材料中的含量均在 GB/T 26572 规定的限量要求以下。

×: 表示该有害物质至少在该部件的某一均质材料中的含量超出 GB/T 26572 规定的限量要求。

此标志为产品的环保使用期限标志,

且此环保使用期限只适用于产品正常工作的温度和湿度等条件。



MS-580USB Conference Microphone

■ Preface

Dear Customer,

Thank you for purchasing TAKSTAR MS-580USB Conference Microphone. Please read the user manual carefully before use and keep it for future reference.

If you have any questions or suggestions, please contact our local dealer.

■ Features

- Built-in USB sound card chip to make the microphone compatible with systems like Windows, Mac OS and Kirin
- Driver-free design for plug and play
- Unidirectional capsule for long-distance pickup
- Accurate positioning for clear sound without noise
- Double gooseneck construction for flexible positioning to pick up sound from all directions
- 3.5 mm interface for more flexible configuration by connecting to a headphone for monitoring or a speaker for sound source output
- Volume adjustment knob to adjust the volume based on the venue
- Mute switch to turn on or off the sound signal at any time and easy to use
- Operating indicator to show the working state of the microphone clearly
- Non-slip rubber pad on the bottom to prevent the microphone from sliding and to reduce the impact of desktop vibration

■ Product content

Conference microphone	1pc
User manual	1pc

MS-580USB Conference Microphone

■ Specifications

Power Supply: USB (DC 5V/100mA)

Data Transmission: USB 2.0

Sample Rate: 48KHz

Bit Rate: 16bit/24bit

Frequency Response: 60Hz-18KHz

Polar Pattern: Unidirectional

Sensitivity: $-9 \pm 3\text{dB}$

Max SPL: $\geq 110\text{dB}$ (at 1KHz, 1%THD)

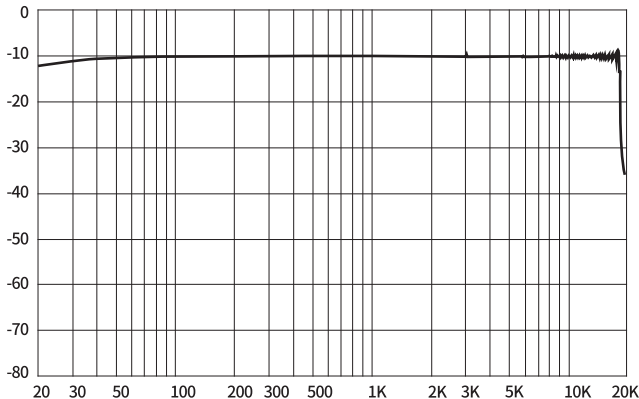
S/N Ratio: 62dB (A-weighted)

Headphone Output Peak Power: $\geq 20\text{mW}$ (32 Ω load)

Headphone Output Distortion: $\leq 0.5\%$

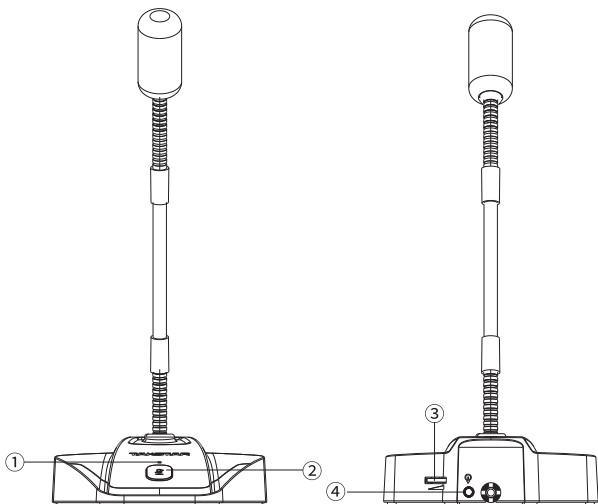
Note: The data is tested by Takstar Laboratory, and Takstar has the final interpretation right!

Frequency response graph



■ Function instructions

- ① Mute indicator: The mute indicator lights up green when the microphone is picking up sound, and lights off when the microphone is muted.
- ② Mute switch: Press it to mute or unmute the microphone. The microphone is muted initially and the indicator is off. When you press the mute switch, the indicator lights up green and the microphone starts picking up sound. When you press the mute switch again, the indicator lights off and the microphone is muted.
- ③ Volume adjustment knob: When the microphone is picking up sound, turn the knob counterclockwise to increase the microphone volume gradually and turn it clockwise to decrease the microphone volume gradually.
- ④ 3.5 mm interface: Connect to a headphone or an active speaker.



MS-580USB Conference Microphone

■ Applications

Conferences, video calls, game talks, screen recording, live broadcasting

■ Operation instructions

- ① Connect the microphone to a computer via a USB cable. The computer will identify the microphone and complete the driver installation automatically.



MS-580USB Conference Microphone

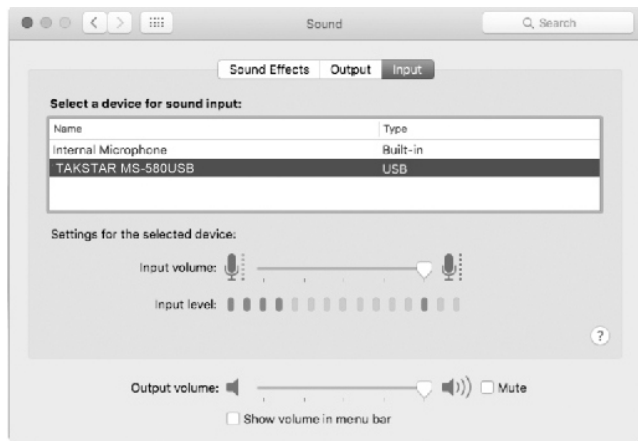
② Driver settings:

Windows: Set the "Recording" device "TAKSTAR MS-580USB" of the system speaker as the default device.



MS-580USB Conference Microphone

Mac OS: Enter the sound settings under the System Preference Device, and select "TAKSTAR MS-580USB" as the input device.



- ③ Connect a headphone or an active speaker to the 3.5 mm interface on the back of the microphone.
- ④ Open the video conference software, instant messaging software or recording software for video conferences, voice chat, network broadcasting, etc. (As for the Windows system, if the sound of the computer recording is too loud, you can lower the recording volume of the recording device or adjust the volume knob on the microphone to lower the volume.

■ Troubleshooting

I The indicator does not light up when the microphone is turned on or the sound produced by the microphone cannot be monitored.

1. Check whether the USB plug of the microphone is properly connected to the USB interface of the computer. If not, unplug it and try again.
2. Check whether the headphone is properly connected to the 3.5 mm interface of the microphone. If not, unplug it and try again.
3. When the microphone is connected to a computer, you need to turn on the "Recording" device of the system speaker, and select "Monitor the device" in the properties tab of the "TAKSTAR MS-580USB" device.

II The sound of the microphone cannot be recorded or the recording volume is too low.

1. When the microphone is connected to a computer for use, check whether the microphone volume of the "TAKSTAR MS-580USB" device is too low. If yes, adjust the volume to see whether it goes back to normal.
2. Check whether the volume adjustment knob has set the volume to a very low level. If yes, turn the knob counterclockwise to see whether the volume goes back to normal.

III There is acoustic feedback when the microphone is connected to a speaker.

1. If the software or the audio equipment has the echo cancellation function, please turn it on.
2. Turn the pickup part of the microphone away from the active speaker while keeping a proper distance.
3. Lower the microphone volume or the output volume of the speaker.

■ Safety instructions

To avoid possible personal injury or property damage caused by electric shock, high temperature, fire, radiation, explosion, mechanical hazards, and improper use, please read and observe the following items before using the product.

1. When using the product, please adjust the volume of the device to a proper level. Do not use it for a long time when the volume is high to avoid product failure and hearing damage.
2. If there is any abnormality (such as smoke, odor, etc.) during use, please turn off the power switch and unplug the power plug immediately, and then send the product to the dealer for maintenance.
3. The product and accessories should be placed indoors in a dry and ventilated place. Do not store them in a humid and dusty environment for a long time. Keep the product away from fire, rain, water, excessive collision and avoid throwing, vibrating the product or covering its ventilation holes during use, so as not to damage its function.
4. If the product needs to be fixed on the wall or ceiling, please make sure to fix it in place.
5. When using the product, you must abide by the relevant safety regulations. Please do not use the product in the occasions that are clearly prohibited by laws and regulations to avoid accidents.
6. Please do not disassemble, refit or repair the product by yourself to prevent personal injury. If you have any questions or service needs, please contact the local dealer.

■ About the meaning of icon



This symbol indicates that according to the WEEE Directive (2012 / 19 / EU) and national laws, this product should not be disposed of together with your household waste, and should be returned to an authorized recycling station of electrical and electronic equipment (WEEE) for recycling, because this type of waste has potential harmful substances that may have a negative impact on the environment and human health. Meanwhile, when this product is disposed of properly, it is conducive to the effective use of natural resources. For more information on where you can place your waste recycling equipment, please contact your local City Office, Waste Management Bureau or Household Waste Treatment Service Department.

注意事项：

1. 本单为保修凭证，请用户妥善保管，如有遗失，恕不保修或退换。
2. 保修期限制：购买之日起十二个月内。
3. 除了不可抗力事件损坏外，由本公司负责，免费维修。
4. 如属保管不善或使用不当造成的损坏，维修点将酌情收费。
5. 擅自拆卸维修者，不予保修。
6. 以上保修条款仅限于中国市场适用（不含港澳台地区）。

产品服务保证书

姓名：_____ 电话：_____ 地址：_____

商品：_____ 型号：_____ 购买日期：_____ 年 ___ 月 ___ 日

维修记录栏 (由维修员填写)	维修员签名	日期

◆广东得胜电子有限公司 ◆电话：400-6828-333 ◆地址：广东省惠州市博罗县龙溪街道富康一路2号



扫一扫，了解更多产品
Scan for more
product information

广东省电声工程技术研究开发中心 广东得胜电子有限公司制造

地址：广东省惠州市博罗县龙溪街道富康一路2号

服务热线：400 6828 333 传真：0752 6383950

邮箱：xs@takstar.com

网址：www.takstar.com

Guangdong Takstar Electronic Co., Ltd.

Address: No. 2 Fu Kang Yi Rd., Longxi Boluo
Huizhou, Guangdong 516121 China

Tel: 86 752 6383644 Fax: 86 752 6383952

Email: sales@takstar.com

Website: www.takstar.com